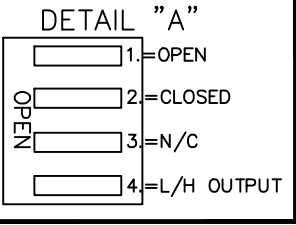


THIS DOCUMENT CONTAINS DATA PROPRIETARY TO PROJECTS UNLIMITED, INC. ANY USE OR REPRODUCTION, IN ANY FORM, WITHOUT PRIOR WRITTEN PERMISSION OF PROJECTS UNLIMITED, INC. IS PROHIBITED.
 ©2005, Projects Unlimited Inc.

SPECIFICATIONS

PARAMETERS	VALUES	UNITS
RATED VOLTAGE	24	Vdc
OPERATING VOLTAGE RANGE	9 ~ 30	Vdc
OPERATING TEMPERATURE	-10 ~ +55	°C
HOUSING MATERIAL	ABS	-
TERMINAL	SCREW	-
WEIGHT	155	grams
INGRESS PROTECTION	N/A	-
COLOR	WHITE	-



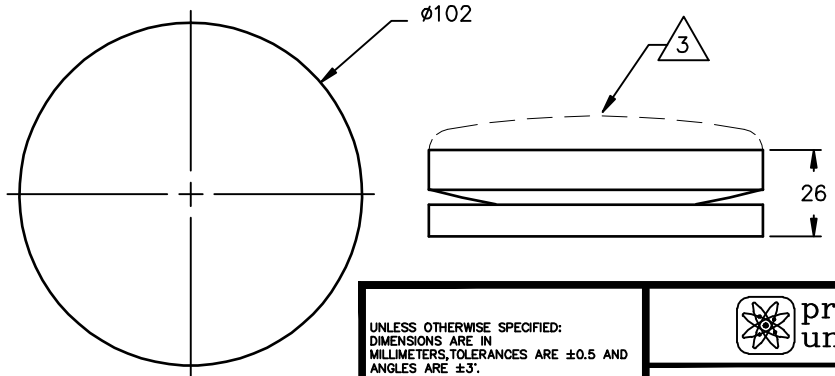
TONE TABLE		
1234	TONE	SPL/SOUNDER CURRENT
00 0	CONTINUOUS	86dB(A)/3mA
10 0	PULSED	83dB(A)/3mA
01 0	TWO TONE	86dB(A)/3mA
11 0	WHOOOP	90dB(A)/5mA
00 1	CONTINUOUS	95dB(A)/9mA
10 1	PULSE	92dB(A)/9mA
01 1	TWO TONE	95dB(A)/10mA
11 1	WHOOOP	97dB(A)/15mA

*SPL TOLERANCE ±3dB(A) ON ALL TONES @ 1 METER

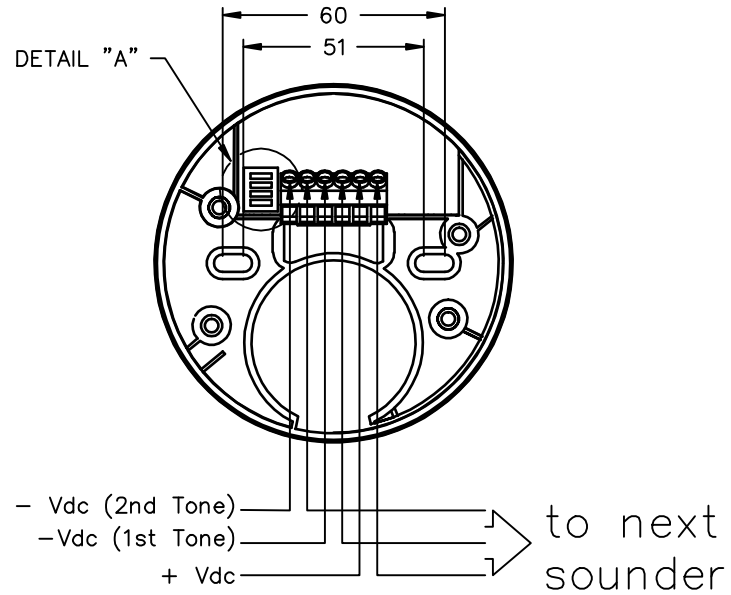
OPTIONAL BEACON VW-05MR-RL

NOTES:

- ALL DIMENSIONS ARE IN MILLIMETERS.
- SPECIFICATION SUBJECT TO CHANGE OR WITHDRAWAL WITHOUT NOTICE.
- OPTIONAL COVER AVAILABLE, ORDER # AWA-05MWC INGRESS PROTECTION IP22D WHEN USED WITH COVER.
- THIS PART IS RoHS 2002/95/EC COMPLIANT.



REVISIONS			
LTR	DESCRIPTION	DATE	APPROVED
-	RELEASED FROM ENGINEERING	12/6/05	
A	ADDED CONNECTION DIAGRAM	9/5/06	R.W.
B	ADDED RoHS & BASE NOTES	5/21/07	R.W.



FILE NAME
 AW-05MW-NC.DWG

UNLESS OTHERWISE SPECIFIED: DIMENSIONS ARE IN MILLIMETERS, TOLERANCES ARE ±0.5 AND ANGLES ARE ±3°.		projects® unlimited Dayton, Ohio									
<table border="1"> <thead> <tr> <th>APPROVALS</th> <th>DATE</th> </tr> </thead> <tbody> <tr> <td>DRAWN <i>J.A.F.</i></td> <td>12/05</td> </tr> <tr> <td>CHECKED <i>E.P.</i></td> <td>12/05</td> </tr> <tr> <td>APPROVED <i>B.R.</i></td> <td>12/05</td> </tr> </tbody> </table>		APPROVALS	DATE	DRAWN <i>J.A.F.</i>	12/05	CHECKED <i>E.P.</i>	12/05	APPROVED <i>B.R.</i>	12/05	SIREN	
APPROVALS	DATE										
DRAWN <i>J.A.F.</i>	12/05										
CHECKED <i>E.P.</i>	12/05										
APPROVED <i>B.R.</i>	12/05										
SIZE A	DRAWING NO. AW-05MW-NC										
DO NOT SCALE DRAWING	SCALE: N.T.S.	SHEET 1 OF 1									